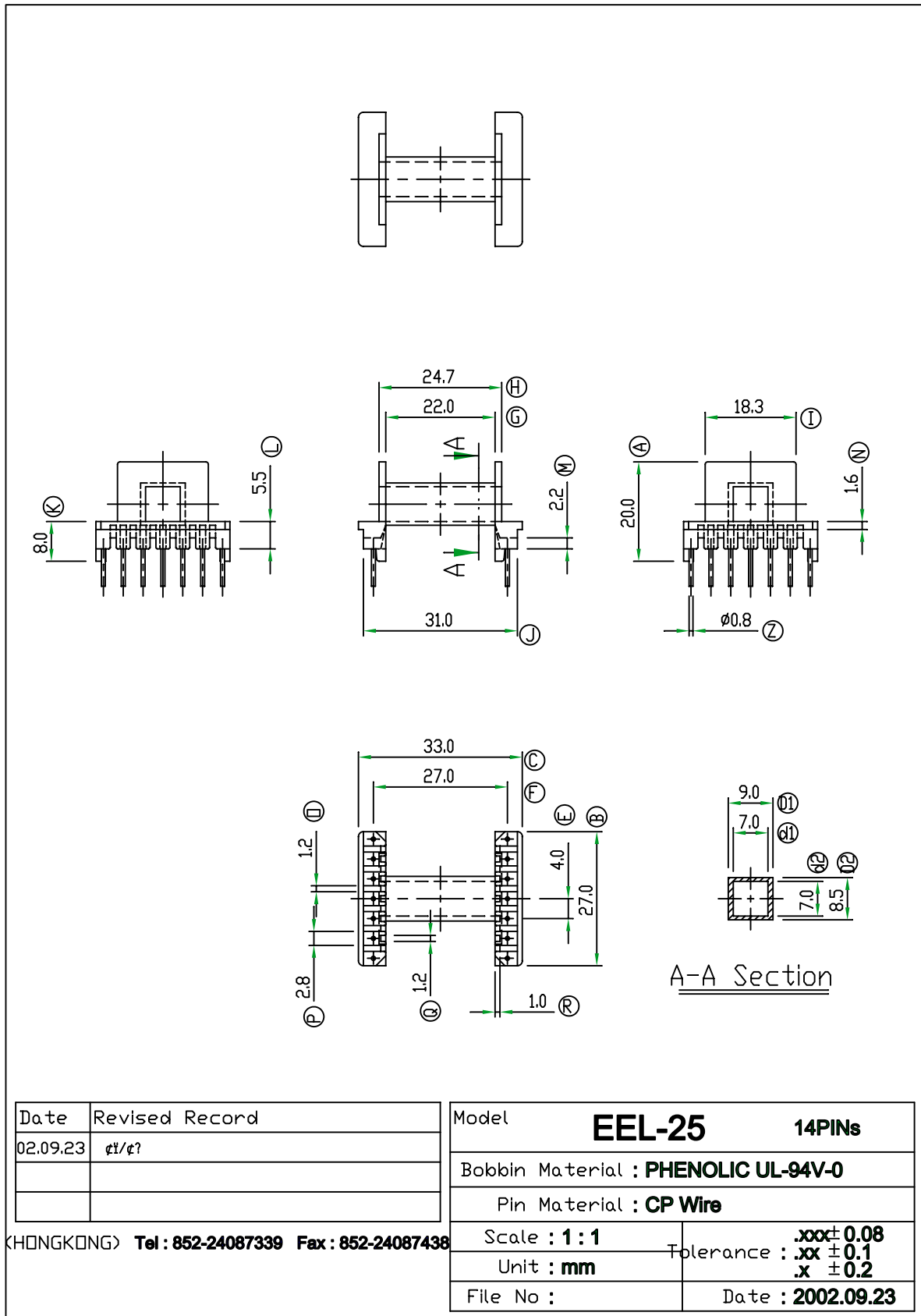


REVISIONS				
ISSUE	SYM	DATE	DRAFTER	CHECKER
NOTE:				

 <b>樹林企業股份有限公司</b> TAIWAN SHULIN ENTERPRISE CO., LTD	MODEL		TF-2543	
	MATERIAL		PHENOLIC	
WEB:www.bobbin.com.tw	UL RATING	UL94V-0	TOLERANCE  .X ±0.1 .XX ±0.05 PIN PITCH ±0.1	
e-mail:shulin@bobbin.com.tw	PIN MATERIAL	CP WIRE		
(TAIWAN TAIPEI) TEL: (886)2-2223-1500 FAX: (886)2-2222-4646	EDITION	1.0		
(CHINA DONGGUAN) TEL: (86)769-7730-785 FAX: (86)769-7312-387	DATE	2003/2/25	UNIT	MM
(CHINA SUZHOU) TEL: (86)512-6621-0580 FAX: (86)512-6621-0685	SCALE	1.5/1		

# NGAI CHEONG ELECTRONICS LTD.



A-A Section

Date	Revised Record
02.09.23	ø1/ø?

(HONGKONG) Tel : 852-24087339 Fax : 852-24087438

Model	<b>EEL-25</b>	<b>14PINs</b>
Bobbin Material :	<b>PHENOLIC UL-94V-0</b>	
Pin Material :	<b>CP Wire</b>	
Scale :	<b>1 : 1</b>	Tolerance : <b>.xxx ± 0.08</b>
Unit :	<b>mm</b>	<b>.xx ± 0.1</b>
File No :		<b>.x ± 0.2</b>
		Date : <b>2002.09.23</b>